

DS-2CE16D0T-IT5 HD1080P EXIR Bullet Camera



Key Features

- 2 Megapixel high-performance CMOS
- Analog HD output, up to 1080P resolution
- True Day/Night, Smart IR
- EXIR technology, up to 80m IR distance
- IP66 weatherproof



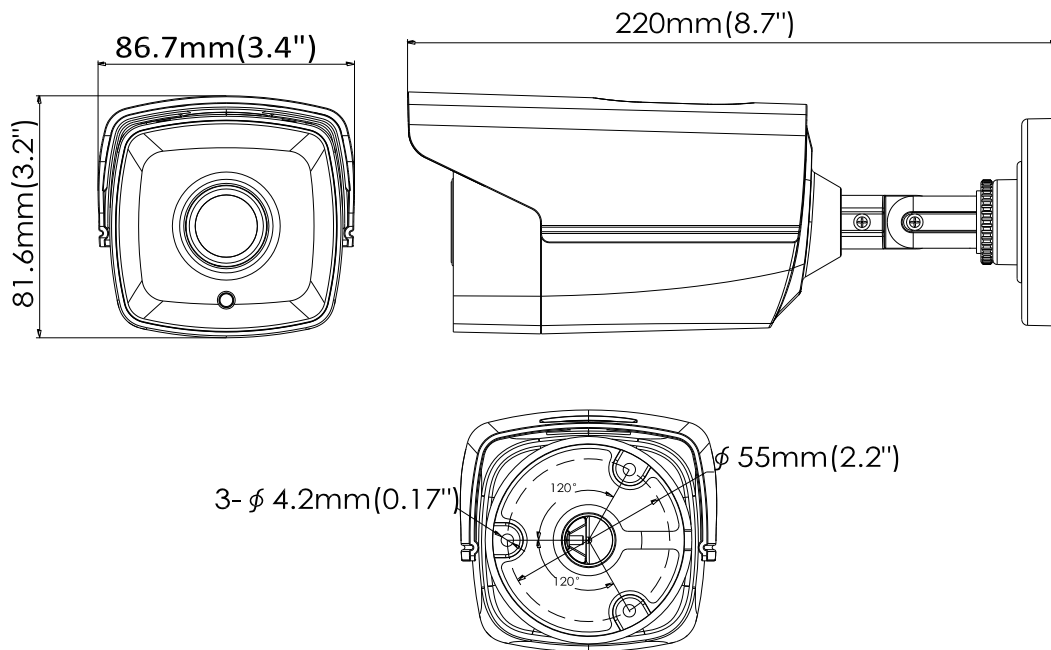
Specifications

Camera	
Image Sensor	2MP CMOS Image Sensor
Signal System	PAL/NTSC
Effective Pixels	1920(H)*1080(V)
Min. illumination	0.01 Lux @ (F1.2,AGC ON),0 Lux with IR
Shutter Time	1/25(1/30)s to 1/50,000s
Lens	3.6mm (6mm, 8mm, 12mm, 16mm optional)
	Angle of View: 82.2°(3.6mm), 54°(6mm), 37.7°(8mm), 24.2°(3.6mm), 18.8°(6mm)
Lens Mount	M12
Day & Night	ICR
Angle Adjustment	Pan: 0 - 360°, Tilt: 0 - 180°, Rotation: 0 - 360°
Synchronization	Internal synchronization
Video Frame Rate	1080p@25fps/1080p@30fps
HD Video Output	1 Analog HD output
S/N Ratio	>62dB
General	
Operating Conditions	-40 °C – 60 °C (-40 °F – 140 °F), Humidity 90% or less (non-condensing)
Power Supply	12 VDC ± 15%
Power Consumption	Max. 6W
Protection Level	IP66
IR Range	Up to 80m
Dimensions	86.22×82.05×220.13mm(3.39"×3.23"×8.67")
Weight	430 g (0.95 lbs)

Order Models

DS-2CE16D0T-IT5

Dimensions



Accessories



DS-1280ZI-XS
Junction box



DS-1H18
Video Balun



X41T
Camera Tester

Distributed by



Headquarters

No.555 Qianmo Road, Binjiang District,
Hangzhou 310051, China
T +86-571-8807-5998
overseasbusiness@hikvision.com

Hikvision Poland

T +48-22-460-01-50
poland@hikvision.com

Hikvision USA

T +1-909-895-0400
sales.usa@hikvision.com

Hikvision India

T +91-22-28469900
sales@pramahikvision.com

Hikvision UK

T +44-1628-9021-4
support.uk@hikvision.com

Hikvision Europe

T +31-23-5542770
saleseuro@hikvision.com

Hikvision Italy

T +39-0438-6902
info.it@hikvision.com

Hikvision Singapore

T +65-6684-4718
sg@hikvision.com

Hikvision Middle East

T +971-4-8816086
salesme@hikvision.com

Hikvision France

T +33(0)1-85-330-444
info.fr@hikvision.com

Hikvision Oceania

T +61-2-8599-4233
salesau@hikvision.com

Hikvision Russia

T +7-495-669-67-99
saleru@hikvision.com

Hikvision Spain

T +34-91-737-16-55
info.es@hikvision.com

Hikvision Hong Kong

T +852-2151-1761